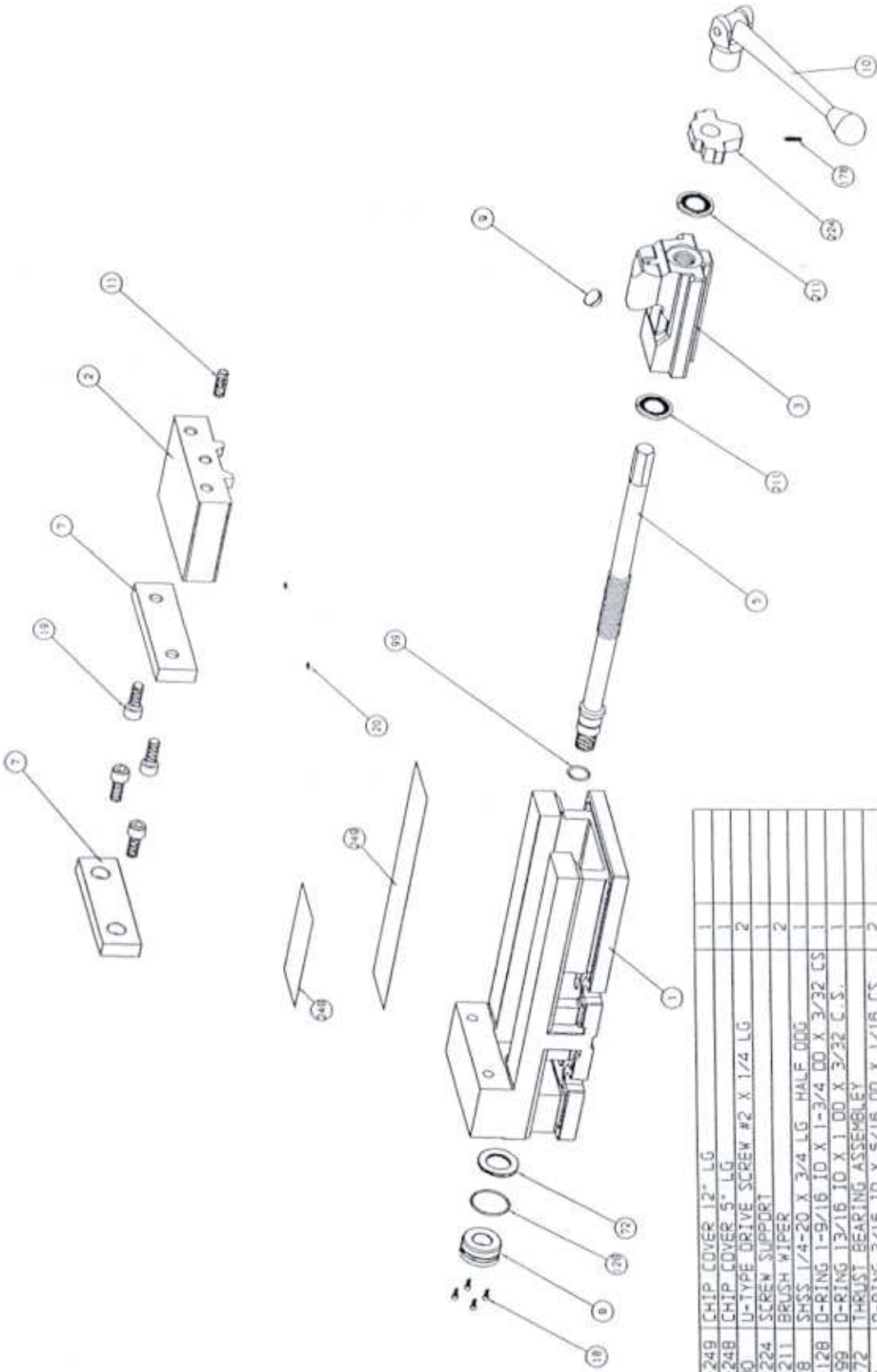
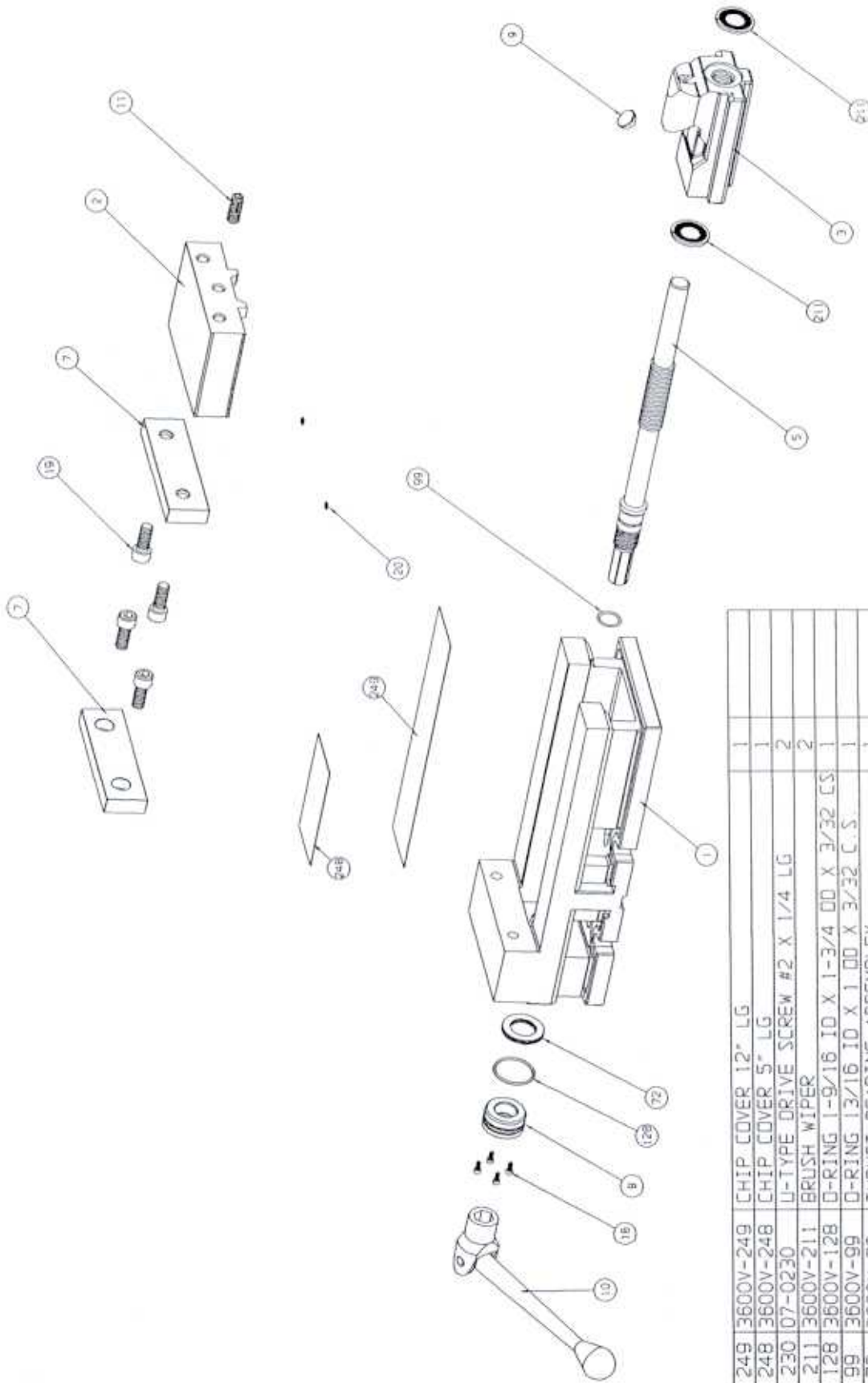


3600V™ REPLACEMENT PART



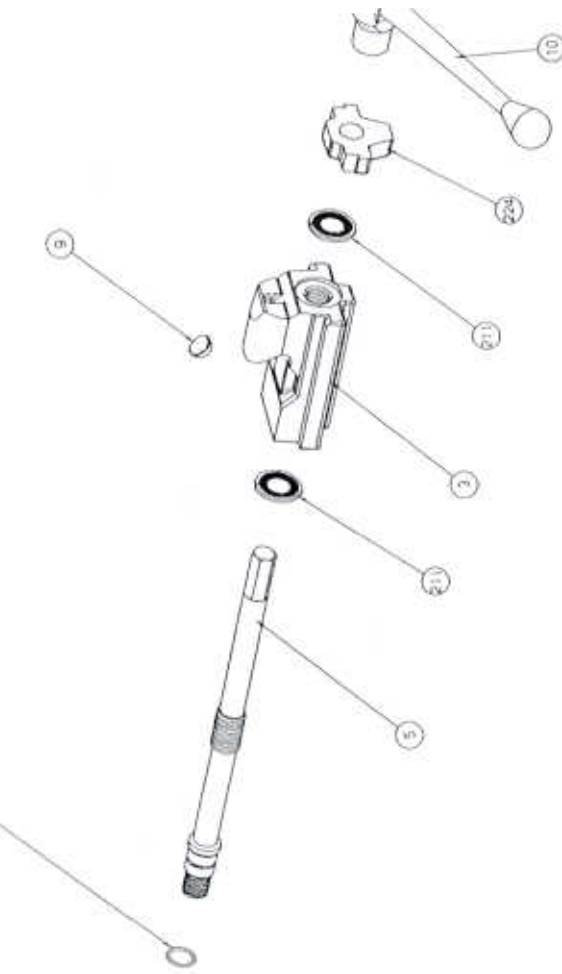
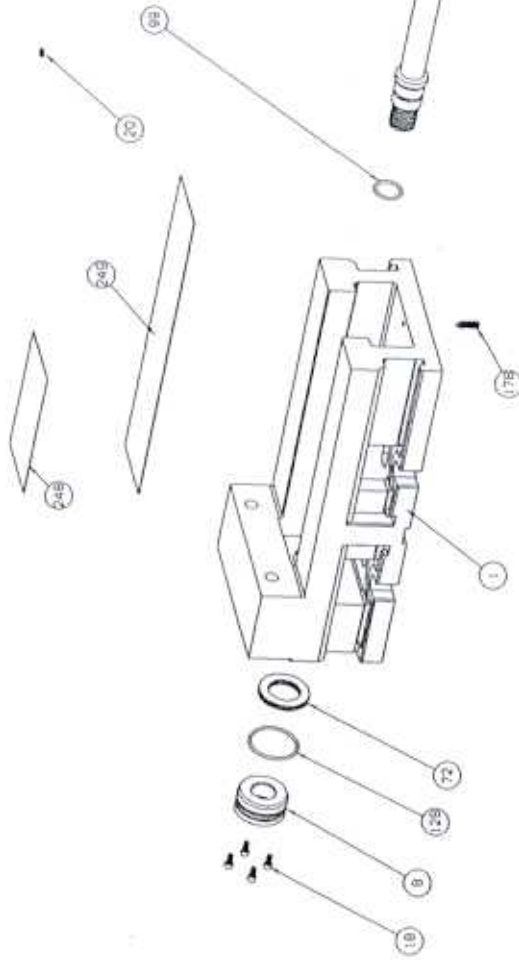
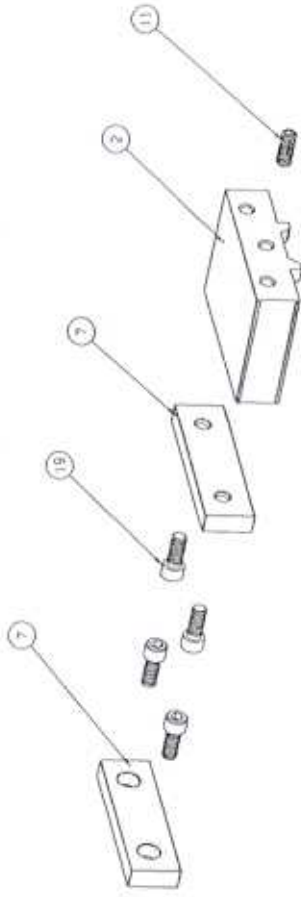
PART NO.	DESCRIPTION	QTY	PRICE
249	3600V-249 CHIP COVER 12" LG	1	
248	3600V-248 CHIP COVER 5" LG	1	
230	07-0230 U-TYPE DRIVE SCREW #2 X 1/4 LG	2	
224	3600V-224 SCREEN SUPPORT	1	
211	3600V-211 BRUSH WIPER	2	
178	01-1878 SHSS 1/4-20 X 3/4 LG HALF DGG	1	
128	3600V-128 O-RING 1-9/16 ID X 1-3/4 OD X 3/32 CS	1	
99	3600V-99 O-RING 13/16 ID X 1.00 X 3/32 C.S.	1	
72	3600V-72 THRUST BEARING ASSEMBLY	1	
20	225-20 O-RING 3/16 ID X 5/16 OD X 1/16 CS	2	
19	00-1419 SHCS 1/2 - 13NC X 1-1/4 LG	4	
18	00-1191 SHCS #8-32 UNC X 3/8 LG	4	
11	3600V-11A ADJUSTING SCREW	1	
10	060-10A-5A HANDLE ASSEMBLY	1	
9	060-9 SEGMENT	1	
8	3600V-8 RETAINING NUT 2-PIECE	1	
7	060-7 JAW PLATE	2	
5	3600V-5 SCREW	1	
3	3600V-3 NUT MACHINING	1	
2	3600V-2 MOVABLE JAW	1	
1	3600V-1 BODY MACHINING	1	

3610V™ REPLACEMENT PART



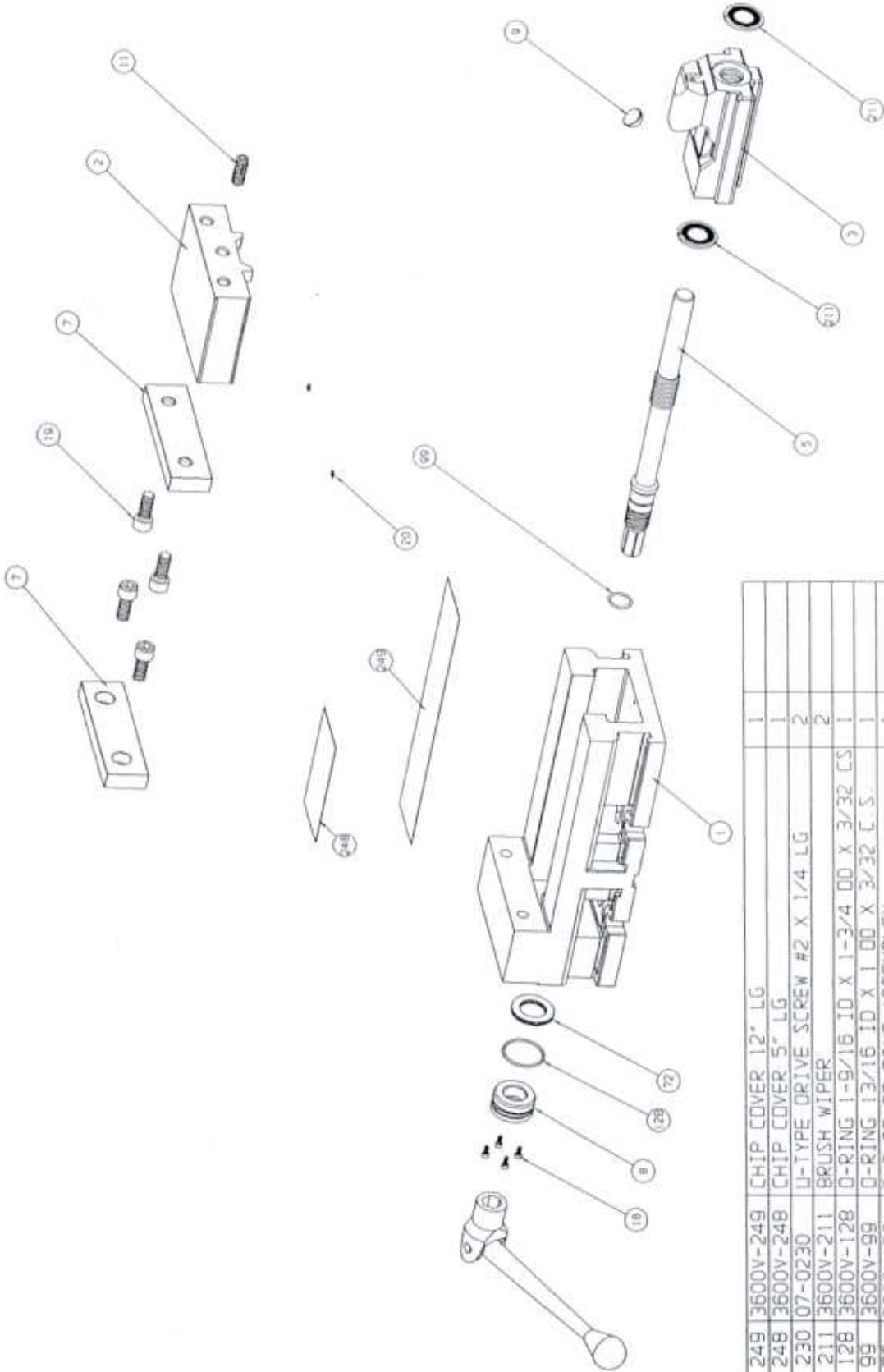
PART NO.	DESCRIPTION	QTY	PRICE
249	3600V-249 CHIP COVER 12" LG	1	
248	3600V-248 CHIP COVER 5" LG	1	
230	107-0230 U-TYPE DRIVE SCREW #2 X 1/4 LG	2	
211	3600V-211 BRUSH WIPER	2	
128	3600V-128 O-RING 1-9/16 ID X 1-3/4 OD X 3/32 CS	1	
99	3600V-99 O-RING 1-3/16 ID X 1 OD X 3/32 C.S.	1	
72	3600V-72 THRUST BEARING ASSEMBLY	1	
20	225-20 O-RING 3/16 ID X 5/16 OD X 1/16 CS	2	
19	00-1419 SHCS 1/2 - 13NC X 1-1/4 LG	4	
18	00-1191 SHCS #8-32 UNC X 3/8 LG	4	
11	3600V-11A ADJUSTING SCREW	1	
10	D60-10A-SA HANDLE ASSEMBLY	1	
9	D60-9 SEGMENT	1	
8	3610V-8 RETAINING NUT 2-PIECE	1	
7	D60-7 JAW PLATE	2	
5	3610V-5 SCREW	1	
3	3610V-3 NUT MACHINING	1	
2	3600V-2 MOVABLE JAW	1	
1	3600V-1 BODY MACHINING	1	

3620V™ REPLACEMENT PART



PART NO.	DESCRIPTION	QTY	PRICE
249	CHIP COVER 12" LG	1	
248	CHIP COVER 5" LG	1	
230	U-TYPE DRIVE SCREW #2 X 1/4 LG	2	
224	SCREW SUPPORT	1	
211	BRUSH WIPER	2	
178	SHSS 1/4-20 X 3/4 LG HALF DOG	1	
128	O-RING 1-9/16 ID X 1-3/4 OD X 3/32 CS	1	
99	O-RING 13/16 ID X 1.00 X 3/32 C.S.	1	
72	THRUST BEARING ASSEMBLY	1	
20	O-RING 3/16 ID X 5/16 OD X 1/16 CS	2	
19	SHCS 1/2 - 13NC X 1-1/4 LG	4	
18	SHCS #8-32 UNC X 3/8 LG	4	
11	ADJUSTING SCREW	1	
10	HANDLE ASSEMBLY	1	
9	SEGMENT	1	
8	RETAINING NUT 2-PIECE	1	
7	JAW PLATE	2	
5	SCREW	1	
3	NUT MACHINING	1	
2	MOVABLE JAW	1	
1	BODY MACHINING	1	

3630V™ REPLACEMENT PART



PART NO.	DESCRIPTION	QTY	PRICE
249	CHIP COVER 12" LG	1	
248	CHIP COVER 5" LG	1	
230	U-TYPE DRIVE SCREW #2 X 1/4 LG	2	
211	BRUSH WIPER	2	
128	O-RING 1-9/16 ID X 1-3/4 OD X 3/32 CS	1	
99	O-RING 1-3/16 ID X 1 OD X 3/32 C.S.	1	
72	THRUST BEARING ASSEMBLY	1	
20	O-RING 3/16 ID X 5/16 OD X 1/16 CS	2	
19	SHCS 1/2 - 13NC X 1-1/4 LG	4	
18	SHCS #8-32 UNC X 3/8 LG	4	
11	3600V-11A ADJUSTING SCREW	1	
10	D60-10A-SA HANDLE ASSEMBLY	1	
9	D60-9 SEGMENT	1	
8	3610V-8 RETAINING NUT 2-PIECE	1	
7	D60-7 JAW PLATE	2	
5	3630V-5 SCREW	1	
3	3610V-3 NUT MACHINING	1	
2	3600V-2 MOVABLE JAW	1	
1	3620V-1 BODY MACHINING	1	