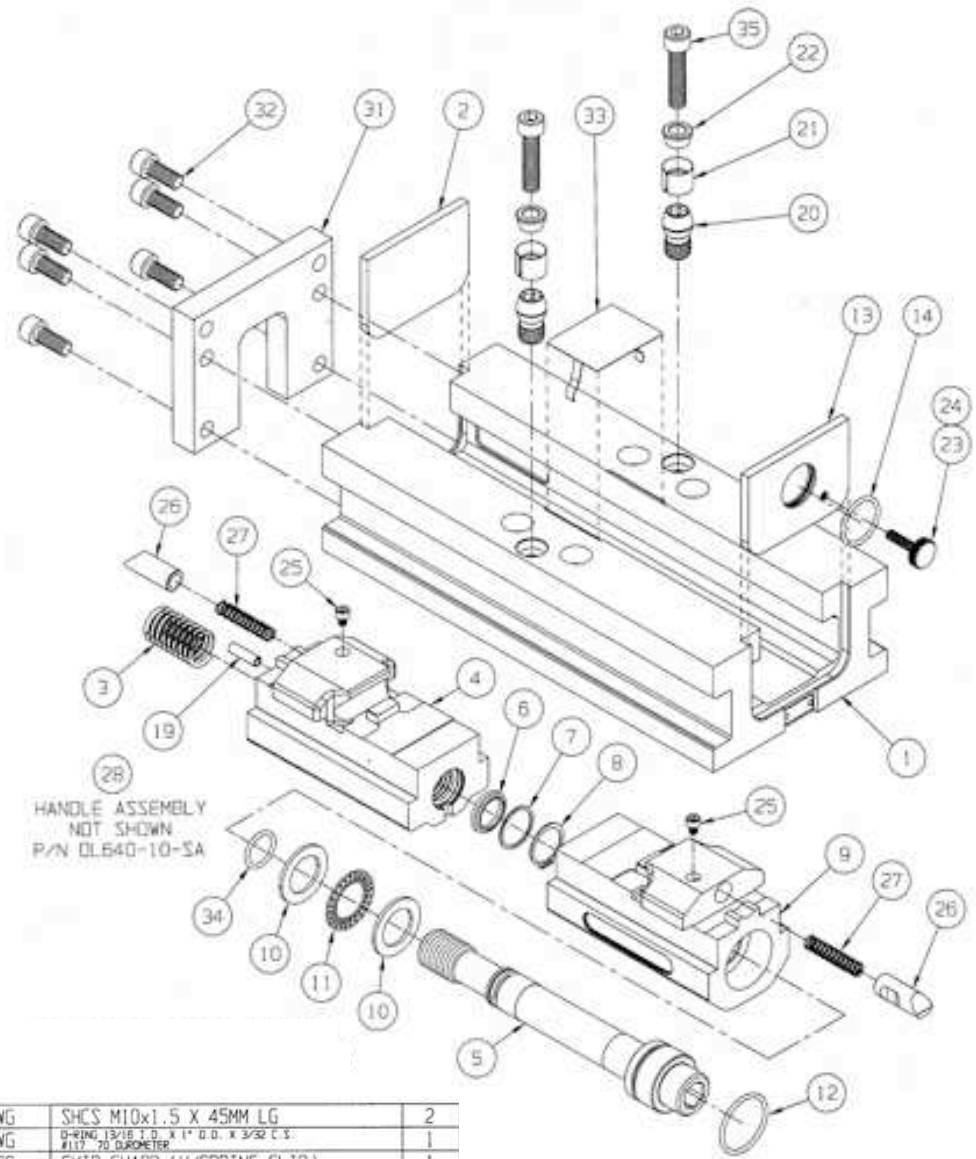


HDM6 With Sleeve Type  
Stationary Jaw Locators  
New Style



Optional Convertible

* 35	26-0232	NO DWG	SHCS M10x1.5 X 45MM LG	2
34	3600V-99	NO DWG	O-RING 1 3/16 I.D. X 1" O.D. X 3/32 C.S. #117 70 DIAMETER	1
* 33	HDM6-248	B20266	CHIP GUARD (W/SPRING CLIP)	1
* 32	26-0224	NO DWG	SHCS M10x1.5 X 25MM LG	6
* 31	HDM6-239	B20267	HOLDING PLATE	1
30	HDM6-197	NO DWG	LEE COMPRESSION SPRING #LC-050E-175S (STAINLESS STEEL) 360 O.D. X .0518 X 2.50 LG (SPRING RATE 25.58F)	1
29	HDM6-169	NO DWG	LEE COMPRESSION SPRING #LC-051E-175S (STAINLESS STEEL) 360 O.D. X .0518 X 2.75 LG (SPRING RATE 11.58F)	1
28	DL640-10-SA	C19718	HANDLE ASS'Y FOR 5/8 INTERNAL HEX	1
27	HDM6-267	NO DWG	LEE COMPRESSION SPRING #LC-049E-175S (STAINLESS STEEL) 360 O.D. X .0498 X 2.75 LG (SPRING RATE 7.86F)	2
* 26	HDM6-142	B20237	SPRING GUIDE	2
25	26-0082	NO DWG	SHCS M5x.8 X 6MM LG	2
* 24	HDM6-22	NO DWG	PHMASTER-CARB PLASTIC THUMB SCREW KNOB (BLACK) #M1125464-152P #M017.0 25CS	1
* 23	HDM6-18	A20236	ADJUSTING SCREW	1
22	HDM6-35	B20469	CLAMP	2
21	HDM6-209	B20468	CLAMP SLEEVE	2
* 20	HDM6-277A	C20467	LOCATING PIN	2
19	04-4428	NO DWG	ROLL PIN 1/40 X 7/8 LG	1
18	HDM6-314	B20233	VICE BODY STICKER (RIGHT SIDE)	1
17	HDM6-313	B20232	VICE BODY STICKER (LEFT SIDE)	1
16	07-0230	NO DWG	U-TYPE DRIVE SCREW #2 X 1/4 LG	2
* 15	HDM6-102	A20231	MODEL/SERIAL NUMBER TAG	1
14	HDM6-96	NO DWG	O-RING 1 1/8 I.D. X 1 5/16 O.D. X 3/32 C.S. #122 70 DIAMETER	1
* 13	HDM6-333	A20230	FRONT END PLATE	1
12	HDM6-68	NO DWG	O-RING 1 3/8 I.D. X 1 9/16 O.D. X 3/32 C.S. #126 70 DIAMETER	1
11	D60-41	NO DWG	THRUST BEARING TORRINGTON #NTA-1625	1
10	D60-42	NO DWG	THRUST WASHER TORRINGTON #TRC-1625	2
* 9	HDM6-3F	D20229	FRONT NUT	1
8	HDM6-147	NO DWG	TRIMAC BASIC EXTERAN RETAINING RING (SERIES 5100) #5100-100 (1.000 SWMT DIA)	1
7	DL640-217	NO DWG	SHALLEY MEDIUM DUTY SPIRAL RETAINING RING #WH-109 (1.000 HOUSING DIA)	1
6	DL640-97	A20073	WIPER RING MP1 (MACROTECH, INC) #959-0 (1.000 THICK) #10 800 DIA X 1.000 O.D. X .100	1
5	HDM6-5	C20228	SCREW	1
4	HDM6-3R	D20227	REAR NUT	1
3	HDM6-327	NO DWG	LEE COMPRESSION SPRING #LC-120A-55S (STAINLESS STEEL) 370 O.D. X 1.200 X 3.00 LG (SPRING RATE 52M)	1
2	HDM6-253	A20226	REAR END PLATE	1
* 1	HDM6-1	D20225	BODY MACHINED	1