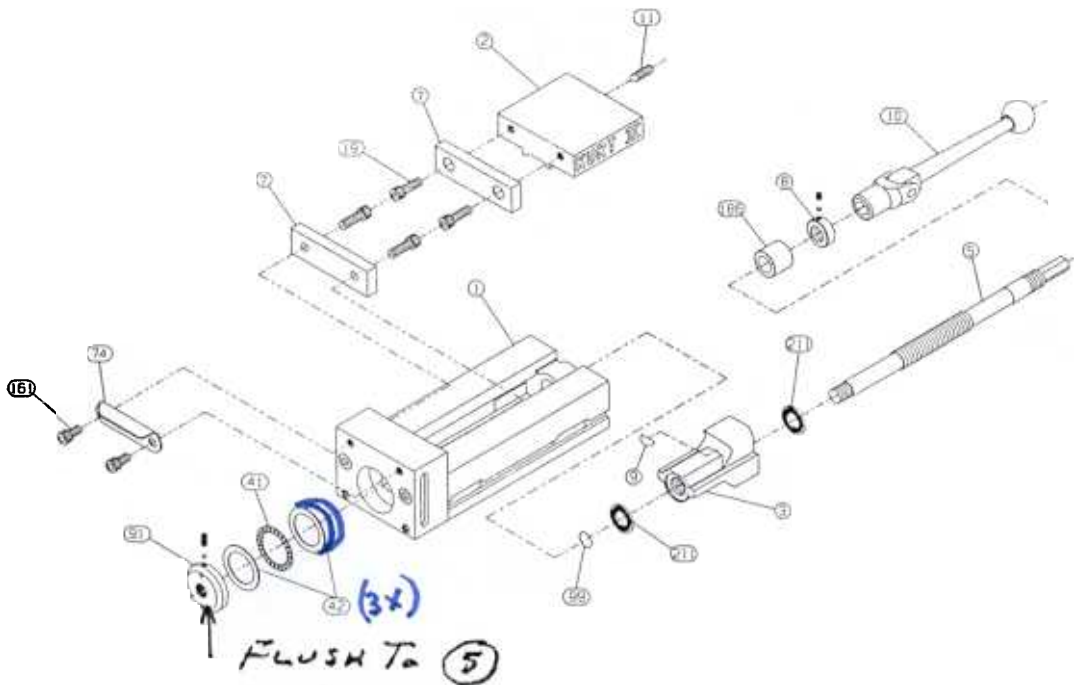


# PT800A™ REPLACEMENT PARTS



ITEM	QTY	DESCRIPTION	PART NUMBER
1	1	BODY & CYL. HSG. ASS'Y	PT800-1A-SA
2	1	MOVEABLE JAW	PT800-2
3	1	NUT	PT800-3A
5	1	SCREW	PT800-5A
7	2	JAW PLATE	D80-7
8	1	FRONT COLLAR ASS'Y	PT800-8-SA
9	1	SEGMENT	D80-9
10	1	HANDLE ASS'Y	D80-10-SA
11	1	SCREW, SHSS 5/8 - 11 X 1 - 1/4	01-3353
19	4	SCREW, SHCS, 5/8 - 11 X 1 - 1/4	00-1481
41	1	THRUST BEARING	PT800-41
42	3	THRUST WASHER .060 THICK	PT800-42
74	1	LIFTING HANDLE	PT800-74
91	1	REAR COLLAR ASS'Y	PT800-91A-SA
99	1	O-RING, 1.083 I.D. X .118 CS	PT800-99
161	2	SCREW, SHCS, 5/8 - 11 X 5/8	00-1474
186	1	SPACER	PT800-186
211	2	INTERNAL BRUSH SEAL	PT800-211

85.

