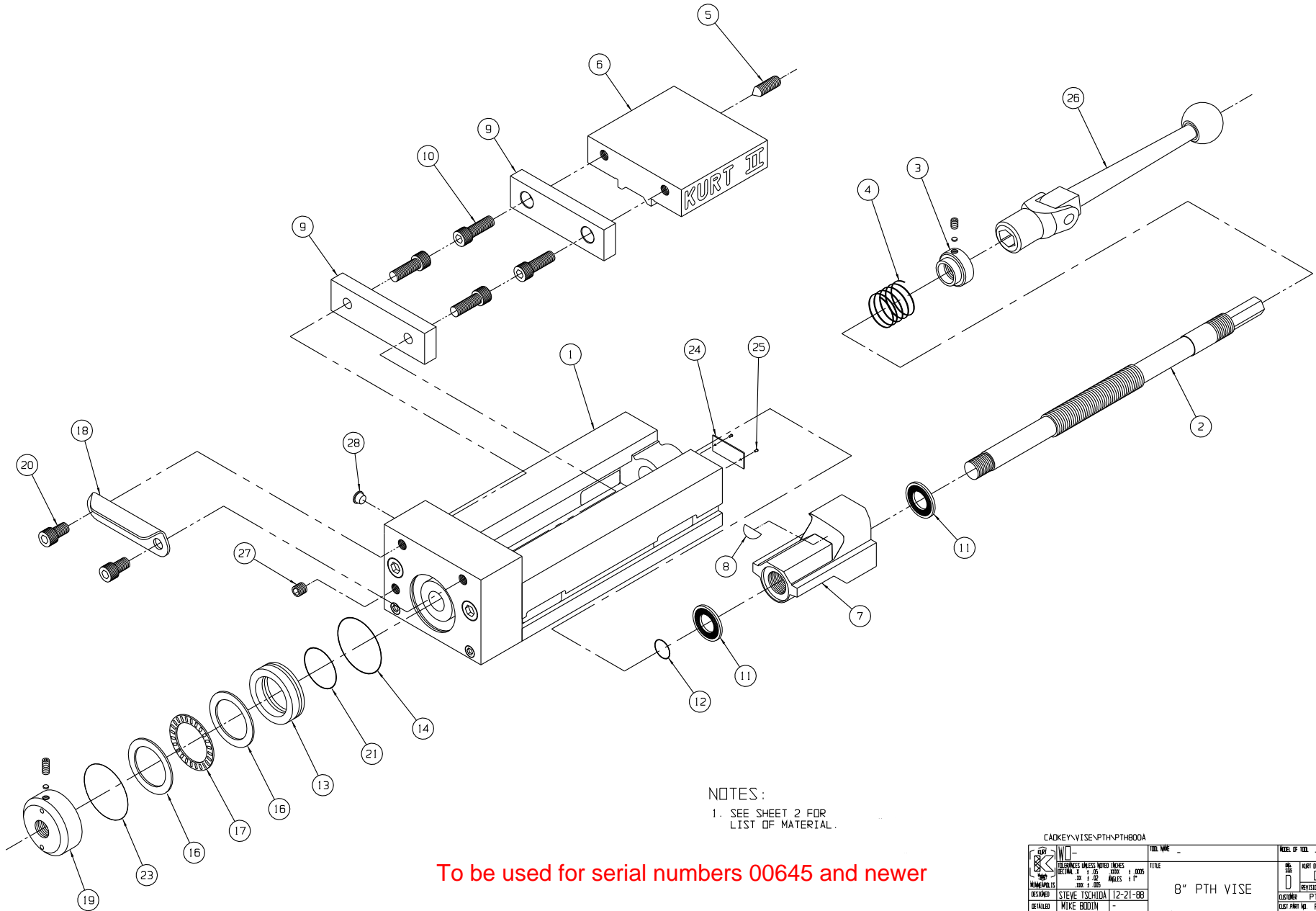


REV	ECO	DESCRIPTION	DATE	BY
A	V1470	SEE ECO	08-01-96	S.J.D
B	V2987	SEE ECO	12-11-01	S.J.D



NOTES:  
 1. SEE SHEET 2 FOR LIST OF MATERIAL.

To be used for serial numbers 00645 and newer

CADKEY VISE PTH PTH800A		TOL. N/A	MODEL OF TOOL
 TOLERANCES UNLESS NOTED IN FEET INCHES DECIMALS ± .005 ANGLES ± .005 FRACTIONS ± 1/32 ANGLES ± 1°	TITLE 8" PTH VISE	PART NO. 010975	REVISION LEVEL B
DESIGNED STEVE TSCHIDA 12-21-88	CUSTOMER PTH800A	TOOL NO.	SCALE NONE
CHECKED MIKE BODIN	DESCRIPTION VISE ASSEMBLY	MATERIAL	SHEET 1 OF 4
APPROVED			

28	181	NO DWG	NIAGARA PLASTIC PLUG #181	1	P
27	PTH400-182	NO DWG	NPT STEEL PLUG 1/4 NPT	1	P
26	D80-10A-SA	C10231	HANDLE ASSEMBLY	1	M
25	07-0230	NO DWG	U-TYPE DRIVE SCREW #2 X 1/4 LG	2	P
24	PTH800-102	A18447	MODEL/SERIAL NUMBER TAG	1	P
23	PT800-97	NO DWG	O-RING #235 3 1/8 I.D. X 3 3/8 O.D. X 1/8 C.S. BUNA N 70 DUROMETER	1	P
21	PTH800-96A	NO DWG	STANDARD POLYPAK PART#18702000 COMPOUND #:P4615A90. MATERIAL DESCRIPTION:MOLYTHANE	1	P
20	00-1475	NO DWG	SHCS 5/8-11NC X 5/8 LG	2	P
19	PTH800-91-SA	B10537	REAR COLLAR ASS'Y	1	M
18	PT800-74	B10387	LIFTING HANDLE	1	M
17	PT800-41	NO DWG	INA THRUST BEARING #TC-3648	1	P
16	PTH800-42	NO DWG	TORRINGTON THRUST WASHER #TRD-3648 .125 THICK	2	P
14	PTH800-198A	NO DWG	STANDARD POLYPAK PART#18702625 COMPOUND #:P4615A90. MATERIAL DESCRIPTION:MOLYTHANE	1	P
13	PTH800-93A	B20552	PISTON	1	M
12	PT800-99	NO DWG	O-RING #215 1.083 I.D. X .118 C.S. BUNA N 70 DUROMETER	1	P
11	PT800-211	B10889	INTERNAL BRUSH SEAL	2	P
10	00-1481	NO DWG	SHCS 5/8-11NC X 1 1/4 LG	4	P
9	D80-7	B1366	JAW PLATE	2	M
8	D80-9	B10671	SEGMENT	1	M
7	PT800-3A	C10966	NUT	1	M
6	PT800-2	D10399	MOVABLE JAW	1	M
5	01-3353	NO DWG	SOC HD SET SCREW (CONE PT) 5/8-11NC X 1 1/4 LG	1	P
4	PTH800-87	B10471	COMPRESSION SPRING	1	P
3	PTH800-8-SA	B10538	FRONT COLLAR ASS'Y	1	M
2	PTH800-5	C10547	SCREW	1	M
1	PT800-1A-SA	D18016	BODY & CYLINDER HOUSING ASS'Y	1	M
ITEM	PART NO.	DWG. NO.	DESCRIPTION	QTY	PUR/ MFGR