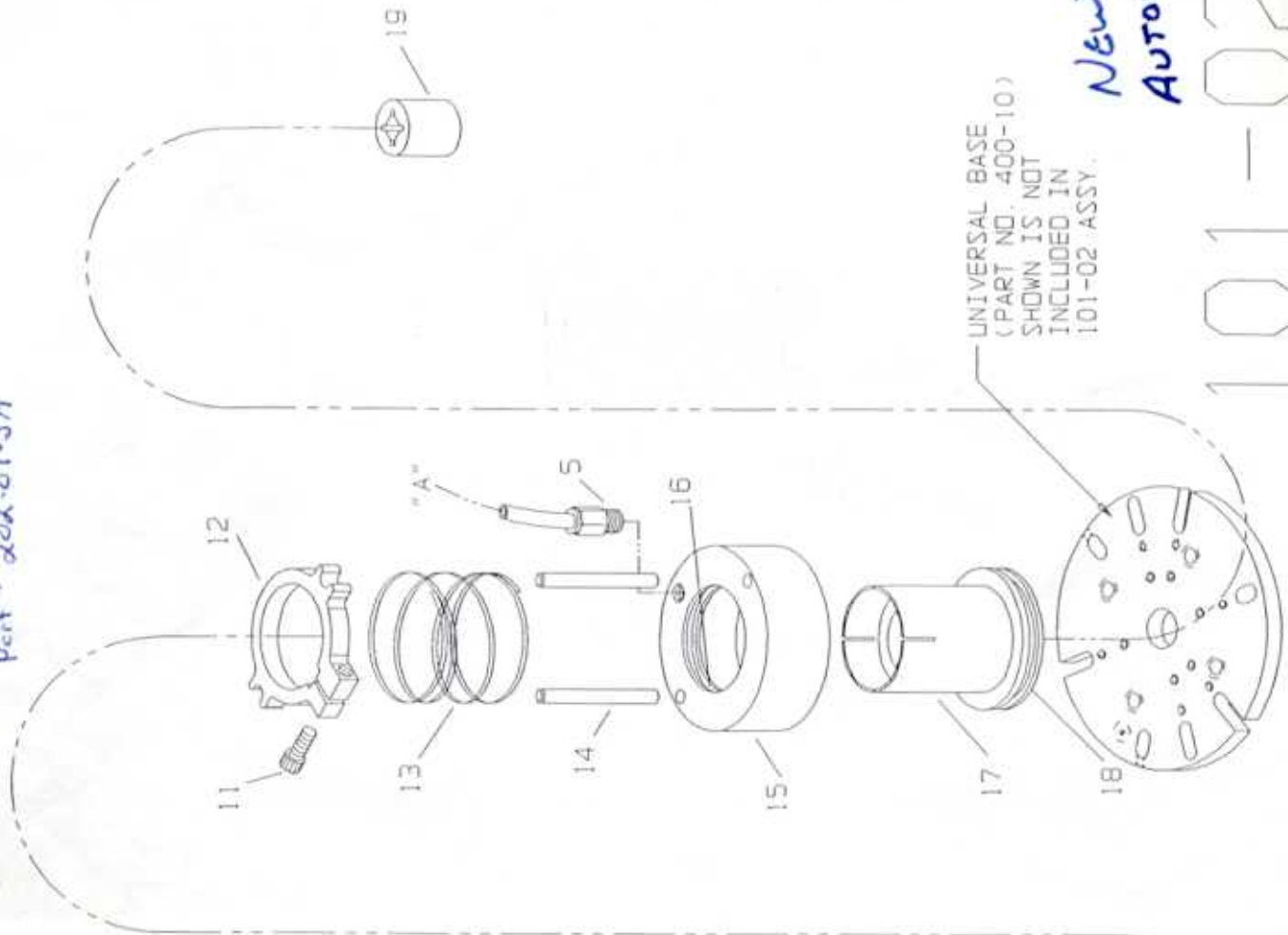
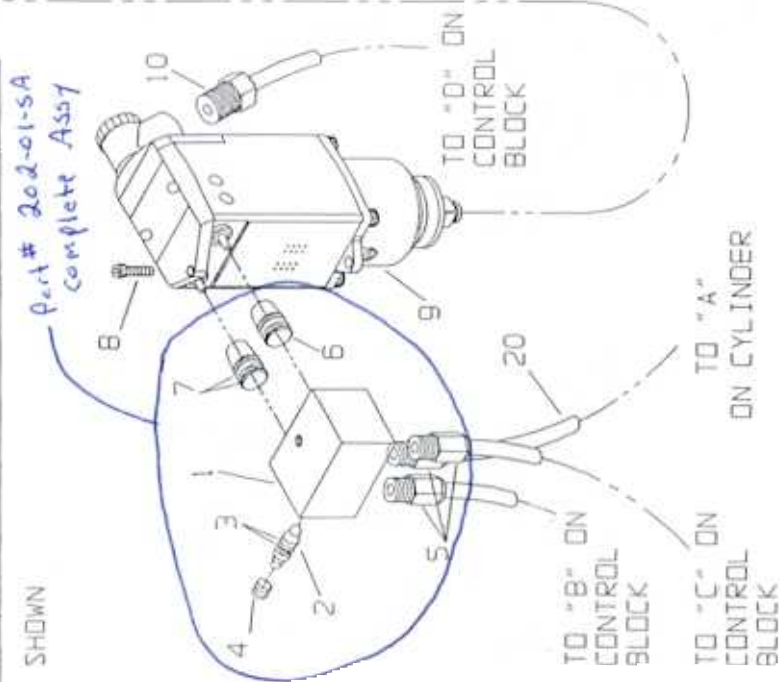


Complete Assy items 1-7
Part # 202-01-SA

NO.	PART NO.	DESCRIPTION	QTY
1	202-01	UPPER BLOCK	1
2	201-00	SHUTTLE PISTON	1
*3	225-05	O-RING, -008, 70 BN, MOLY	2
4	227-02	PLUG, 1/8 NPT, BRASS	1
5	226-01	FITTING, 1/8 NPT (PUSH IN)	1
6	224-01	SLAVE PISTON	2
*7	225-01	O-RING, -008, 70 BN, MOLY	4
8	00-0259	SHCS, #10-32 X 3/4	1
9	212-1000	IMPACT WRENCH CP722	1
10	226-02	FITTING, 1/4 NPT (PUSH IN)	1
11	00-1293	SHCS, 1/4-20 X 1.00 LONG	1
12	204-01	CLAMP	1
13	210-00	PISTON SPRING	1
14	04-0049	GUIDE ROD	2
15	205-01	CYLINDER	1
*16	225-03	O-RING, -225, 70 BN.	1
17	203-01	PISTON	1
*18	225-04	O-RING, -228, 70 BN.	1
19	208-00	SOCKET	1
20	219-0075	AIR TUBE, 7.5 INCHES LG.	1

* NOT SHOWN



New Style
AUTOMATIC

101-02

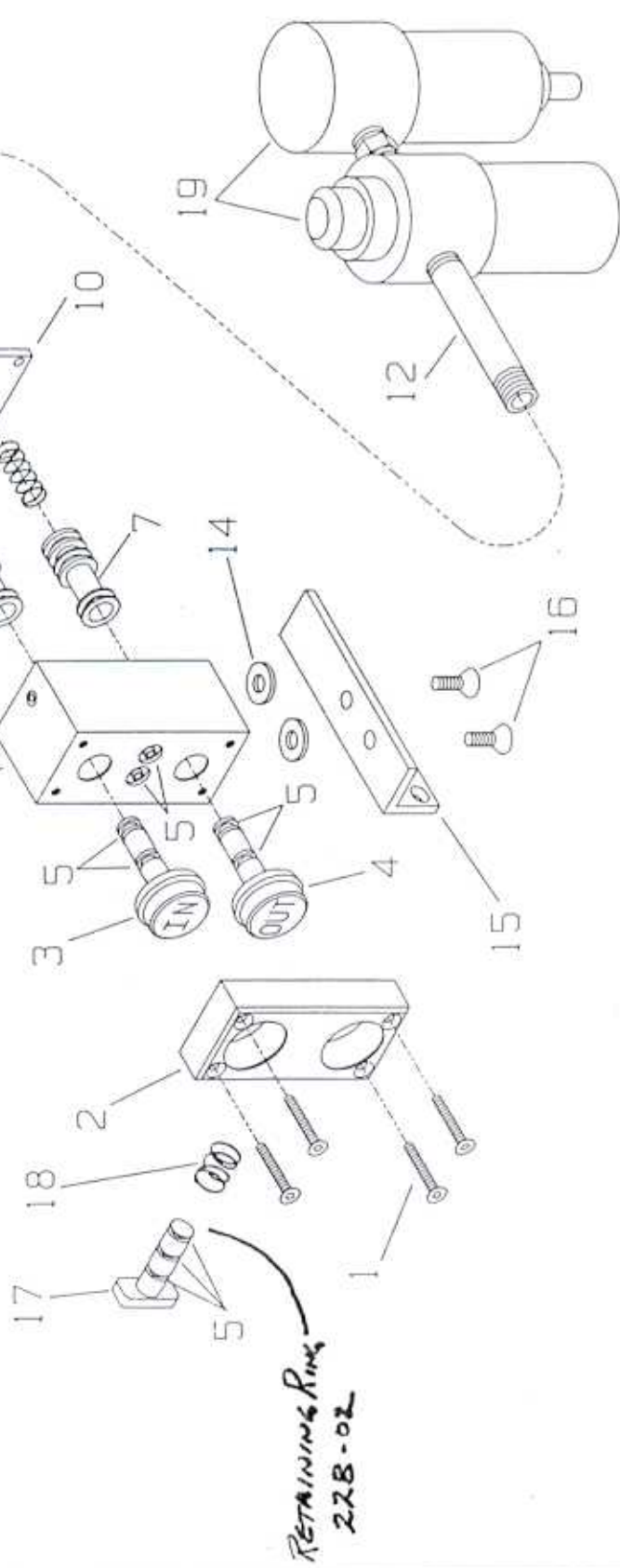
(C:\CADKEY7\OBAR\OBAR\101-02)

102-01

Automatic

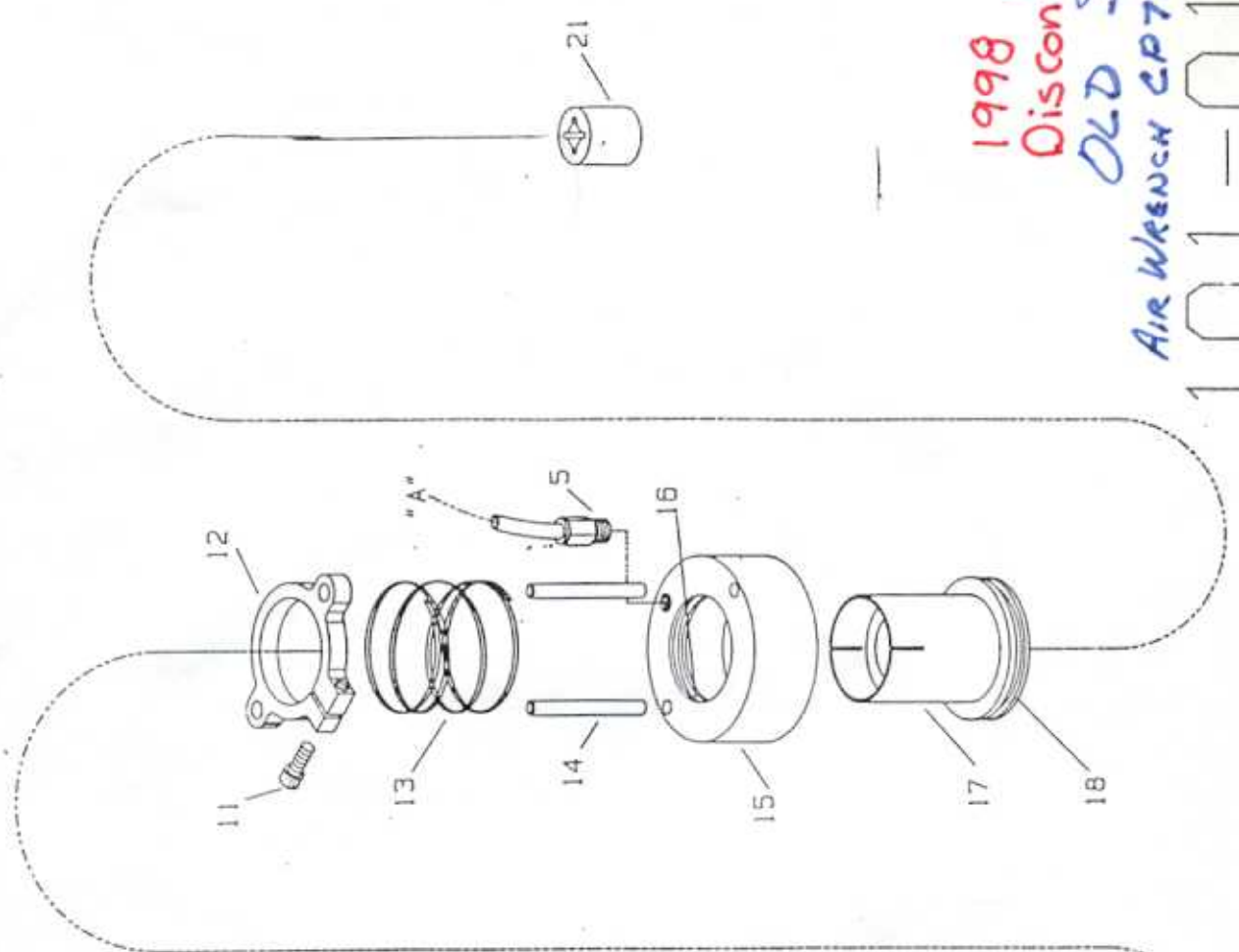
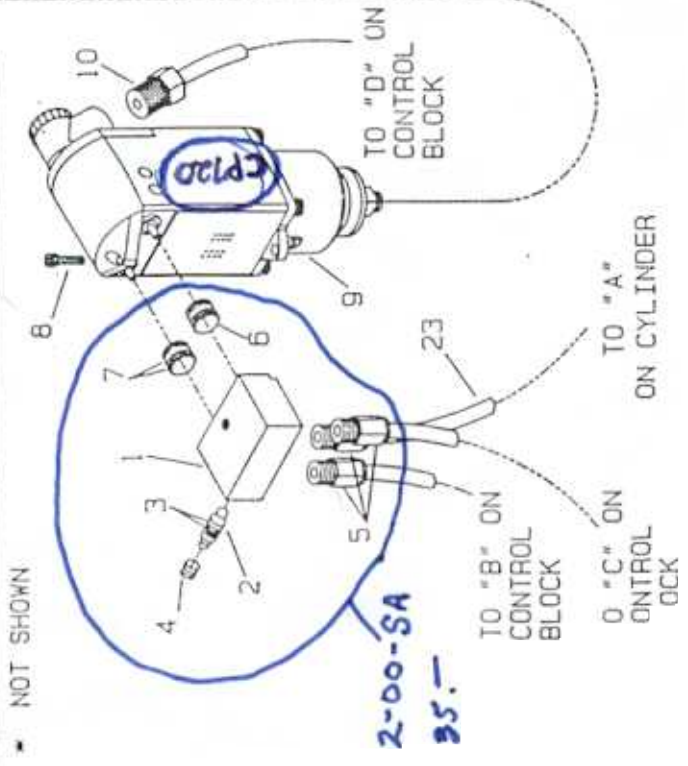
NO.	PART NO.	DESCRIPTION	QTY
1	03-1110	FLAT HEAD #4-40 X 3/4	4
2	308-01	FRONT PLATE, 3 BUTTON	1
3	324-03	"IN" BUTTON	1
4	324-04	"OUT" BUTTON	1
5*	225-01	O-RING, -008, 70 BN.	9
6	306-01	PUSHBUTTON BLOCK	1
7	301-00	PUSHBUTTON SLEEVE	2
8*	225-02	O-RING, -012, 70 BN.	6
9	326-02	PUSHBUTTON SPRING	2
10	307-00	BACK PLATE	1
11*	03-0105	BUTTON HEAD #4-40 X 1/4	4
12	327-25	NIPPLE, 1/8 NPT X 2.5 LONG	1
13	226-01	FITTING, 1/8 NPT (PUSH IN)	3
14	06-1108	WASHER	2
15	309-00	MOUNTING BRACKET	1
16	03-1020	FLAT HEAD #10-32 X 3/8	2
17	328-00	SAFETY PUSHBUTTON	1
18	326-01	SAFETY PUSHBUTTON SPRING	1
19	312-06	FILTER/LUBRICATOR	1

* NOT SHOWN



AUT AT MODEL

NO.	PART NO.	DESCRIPTION	QTY
1	202-00	UPPER BLOCK	1
2	201-00	SHUTTLE PISTON	1
*3	225-05	O-RING, -008, 70 BN, MOLY	2
4	227-02	PLUG, 1/8 NPT, BRASS	1
5	226-01	FITTING, 1/8 NPT (PUSH IN)	1
6	224-00	SLAVE PISTON	2
*7	225-02	O-RING, -011, 70 BN.	4
8	00-0259	SHCS, #10-32 X 3/4	1
9	212-00	IMPACT WRENCH CP720	1
10	226-02	FITTING, 1/4 NPT (PUSH IN)	1
11	00-1288	SHCS, 1/4-20 X 5/8	1
12	204-00	CLAMP	1
13	210-00	PISTON SPRING	1
14	04-0049	GUIDE ROD	2
15	205-00	CYLINDER	1
*16	225-03	O-RING, -225, 70 BN.	1
17	203-00	PISTON	1
*18	225-04	O-RING, -228, 70 BN.	1
21	208-00	SOCKET	1
23	219-00/5	AIR TUBE, 7.5 INCHES LG.	1



1998
Discontinued
OLD STYLE
AIR WRENCH CP720
101-01

* NOT SHOWN